

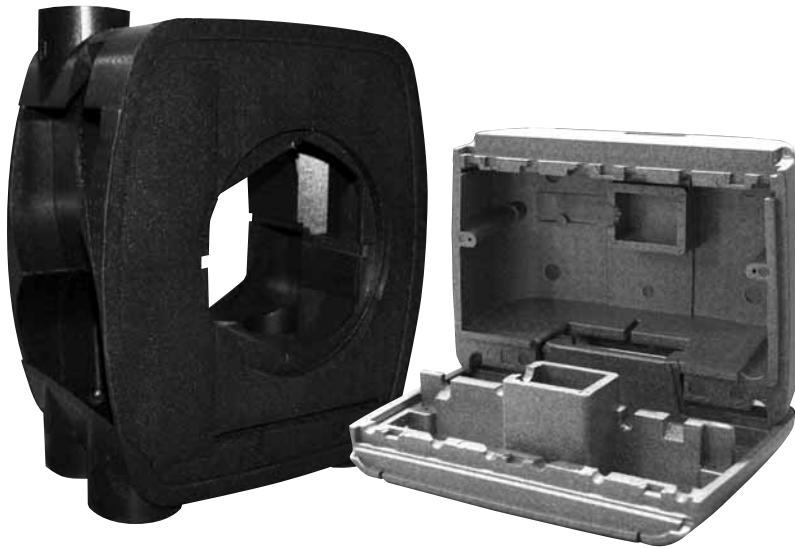


Heating and Ventilation

Styropack

A SYNBRA COMPANY

Creating and installing central heating or air conditioning systems that control temperatures in the most energy efficient way is a vital part of constructing a healthy, sustainable building.



Energy efficiency in packaging and components

Styropack's expertise with moulding foams, combined with new foams developed by Synbra Technology, give you unique access to a range of new EPS variants that have the versatility, lightweight character and outstanding insulation of EPS with some extra abilities that can be used in the heating, ventilation and air conditioning sector.

- HT foam is resistant to high temperatures
- Shock is stronger than the usual EPS
- BioFoam® is a biologically degradable foam

Designed for the Task

Our skilled design team will work with you to develop a manufacturable design that will deliver the results that you need.

We can advise you on the range of materials available and help you to find a cost effective solution that does the job. Moving away from steel and thermoplastics can give you a new flexibility in terms of design and budget.

We might even be able to solve two problems at the same time. We have designed boiler packaging that also functioned as part of the installation procedure and boiler jackets that served to protect the item in transit and then continued to insulate it throughout its working life.

EPP (expanded polypropylene) is versatile mouldable foam that can be used when a robust material is required, EPP can be handled and used frequently without being damaged, it offers:

- Great energy absorption capacity with a very low weight: 11-80 kg/m³
- Good elastic recovery behaviour when subjected to static and dynamic loads
- Reduced water absorption
- Good temperature resistance and low thermal conductivity
- Resistance to chemicals and solvents
- A positive environmental record and is recyclable in several ways

For more information please contact our nearest office:

ABERDEEN

Craigshaw Road, West Tullos Industrial Estate, Aberdeen AB12 3AS

Tel: +44 (0)1224 873 166

BLACKBURN

Victoria Works, Parker Street, Rishton, Blackburn BB1 4NT

Tel: +44 (0)1254 881 204

FORD

Unit A, Rudford Industrial Estate, Ford, Nr Arundel, West Sussex BN18 0BD

Tel: +44 (0)1903 722 811

Styropack

A SYNBRA COMPANY

www.styropack.co.uk